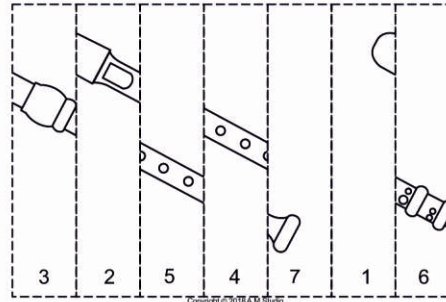
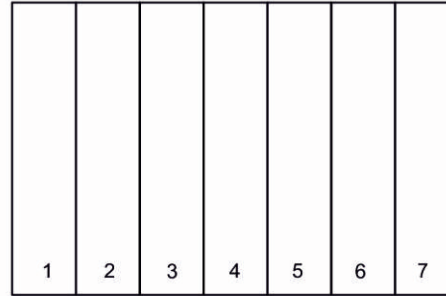


WOODWIND FAMILY INSTRUMENTS LINE PUZZLES

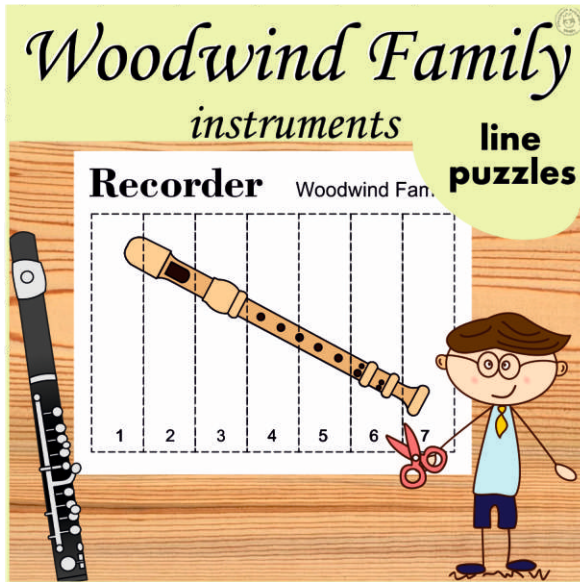
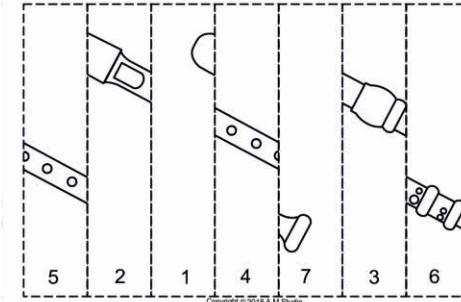
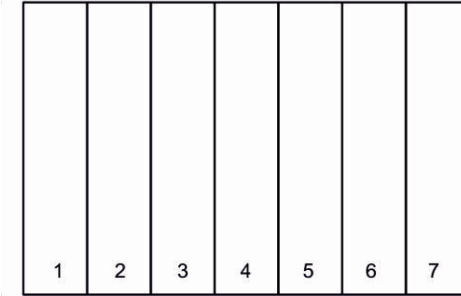
Line puzzles set 1

Recorder Woodwind Family

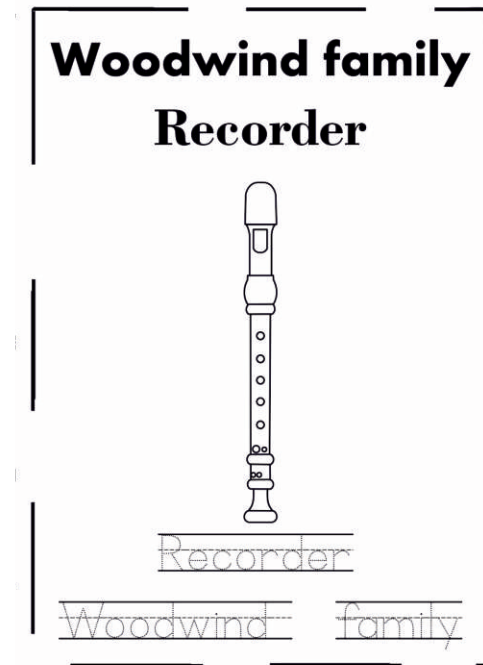


Line puzzles set 2

Instrument: _____ Family: _____

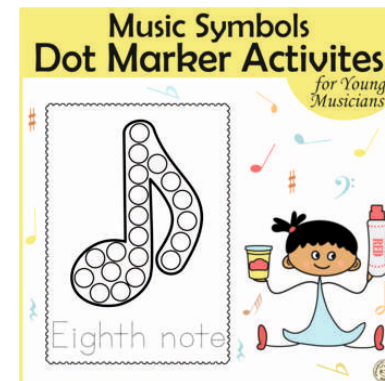
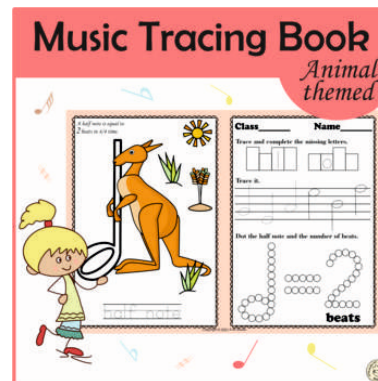
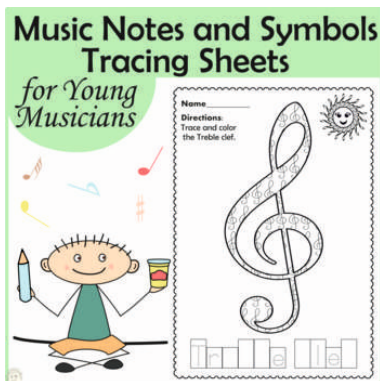


Woodwind Family Coloring Pages



~26 puzzles
~14 coloring pages

More Music Worksheets You Might Like



More Music Instruments Worksheets

