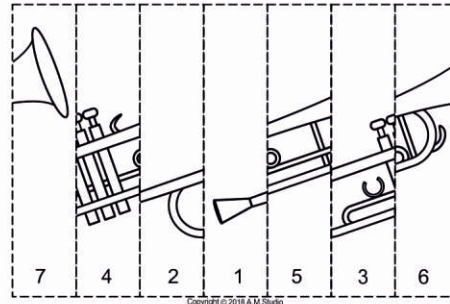
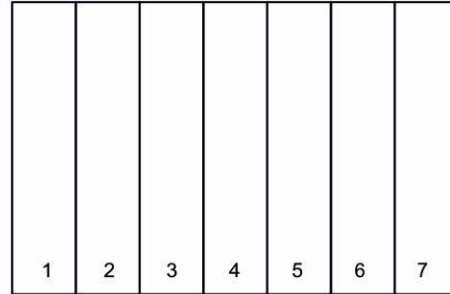


BRASS FAMILY INSTRUMENTS LINE PUZZLES



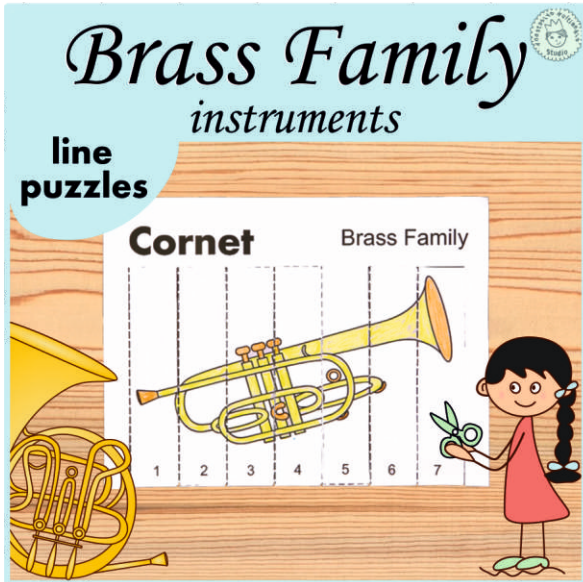
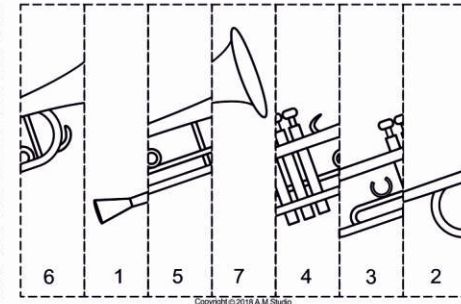
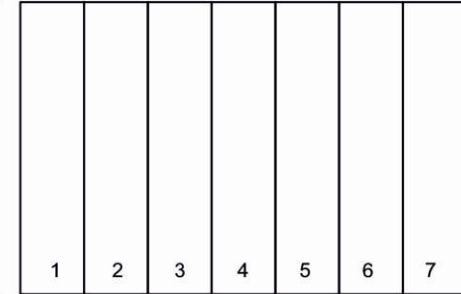
Line puzzles set 1

Trumpet Brass Family

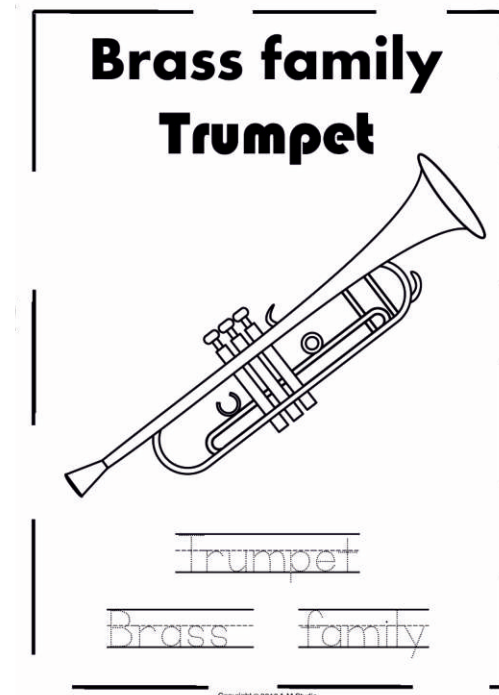
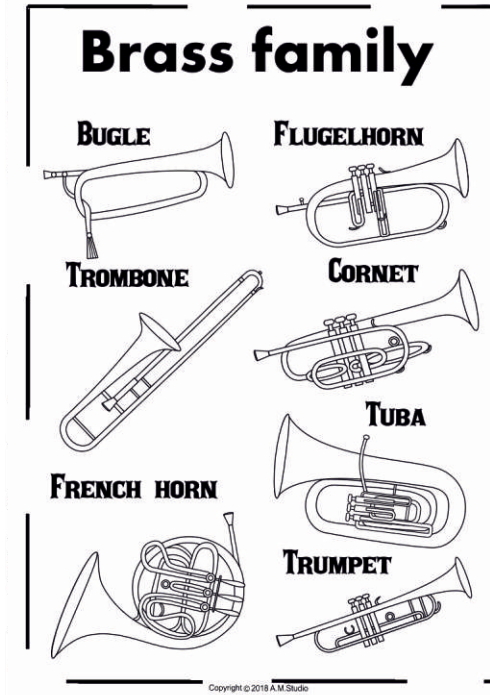


Line puzzles set 2

Instrument: _____ Family: _____

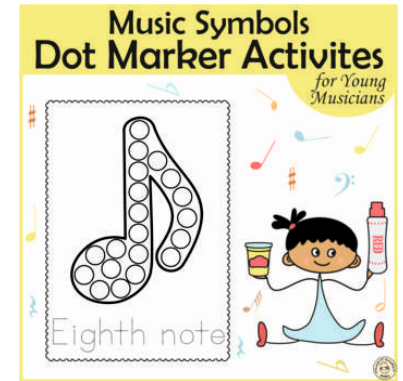
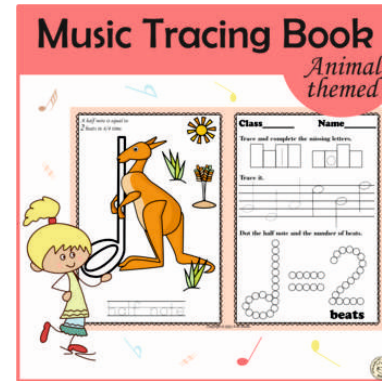
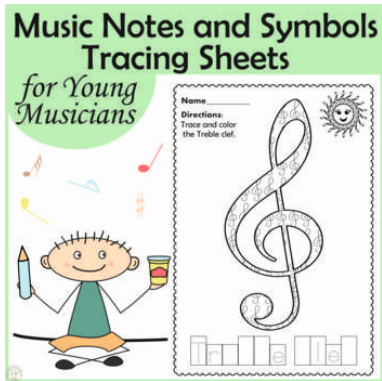


Brass Family Coloring Pages



~14 puzzles
~9 coloring pages

More Music Worksheets You Might Like



More Music Instruments Worksheets

